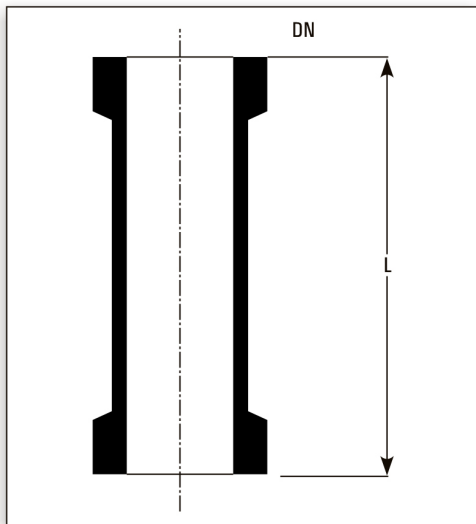


PIPELINE COMPONENTS

PIPE SECTIONS

DN	12	15	25	40	50
L	Cat.Ref.	Cat.Ref.	Cat.Ref.	Cat.Ref.	Cat.Ref.
100	PS0.5/100	PS0.7/100	PS1/100*	PS1.5/100*	PS2/100*
150	PS0.5/150	PS0.7/150	PS1/150*	PS1.5/150*	PS2/150*
200	PS0.5/200	PS0.7/200	PS1/200*	PS1.5/200*	PS2/200*
250	PS0.5/250	PS0.7/250	PS1/250	PS1.5/250	PS2/250
300	PS0.5/300	PS0.7/300	PS1/300*	PS1.5/300	PS2/300
400	PS0.5/400	PS0.7/400	PS1/400	PS1.5/400	PS2/400
500	PS0.5/500	PS0.7/500	PS1/500*	PS1.5/500	PS2/500
600	PS0.5/600	PS0.7/600	PS1/600	PS1.5/600	PS2/600
750	PS0.5/750	PS0.7/750	PS1/750	PS1.5/750	PS2/750
900	PS0.5/900	PS0.7/900	PS1/900	PS1.5/900	PS2/900
1000	PS0.5/1000	PS0.7/1000	PS1/1000*	PS1.5/1000*	PS2/1000*



DN	80	100	150
L	Cat.Ref.	Cat.Ref.	Cat.Ref.
150	PS3/150	PS4/150	PS6/150
200	PS3/200	PS4/200	PS6/200
250	PS3/250	PS4/250	PS6/250
300	PS3/300	PS4/300	PS6/300
400	PS3/400	PS4/400	PS6/400
500	PS3/500	PS4/500	PS6/500
600	PS3/600	PS4/600	PS6/600
750	PS3/750	PS4/750	PS6/750
900	PS3/900	PS4/900	PS6/900
1000	PS3/1000*	PS4/1000*	PS6/1000*

DN	225	300	400
L	Cat.Ref.	Cat.Ref.	Cat.Ref.
300	PS9/300	PS12/300	PS16/300
400	PS9/400	PS12/400	-
500	PS9/500	PS12/500	PS16/500
600	PS9/600	PS12/600	-
750	PS9/750	PS12/750	PS16/750
900	PS9/900	PS12/900	-
1000	PS9/1000*	PS12/1000*	PS16/1000
1200	PS9/1200	PS12/1200	PS16/1200
1500	PS9/1500	PS12/1500	PS16/1500

DN	450	600	800	1000
L	Cat.Ref.	Cat.Ref.	Cat.Ref.	Cat.Ref.
300	PS18/300	-	-	-
500	PS18/500	PS24/500	PS32/500	PS40/500
750	PS18/750	-	-	-
1000	PS18/1000	PS24/1000	PS32/1000	PS40/1000
1200	PS18/1200	-	-	-
1500	PS18/1500*	PS24/1500*	PS32/1500	-

* marked items are available fast.

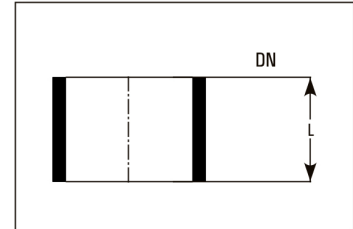
PIPELINE COMPONENTS

SPACERS

Spacers are used to make-up small increments in length.

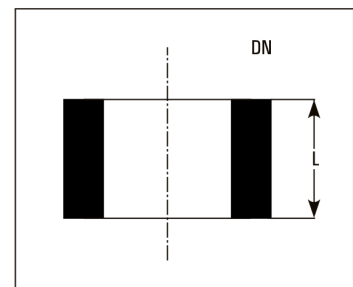
DN	12	15	25	40	50
L	Cat.Ref.	Cat.Ref.	Cat.Ref.	Cat.Ref.	Cat.Ref.
5	SS0.5/5	SS0.7/5	SS1/5	SS1.5/5	SS2/5
15	SS0.5/15	SS0.7/15	SS1/15	SS1.5/15	SS2/15
25	SS0.5/25	SS0.7/25	SS1/25	SS1.5/25	SS2/25

* L= 50 DN or other size available on request.



PTFE SPACERS

DN	12	15	25	40	50
L	Cat.Ref.	Cat.Ref.	Cat.Ref.	Cat.Ref.	Cat.Ref.
5	SST0.5/5	SST0.7/5	SST1/5	SST1.5/5	SST2/5
10	SST0.5/10	SST0.7/10	SST1/10	SST1.5/10	SST2/10
15	SST0.5/15	SST0.7/15	SST1/15	SST1.5/15	SST2/15
20	SST0.5/20	SST0.7/20	SST1/20	SST1.5/20	SST2/20



* marked items are available fast.