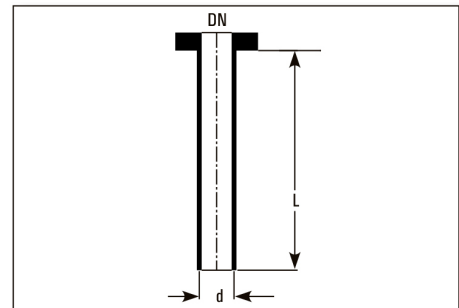


VESSELS

DIP PIPES

Dip pipes are used as liquid inlet for spherical vessels.

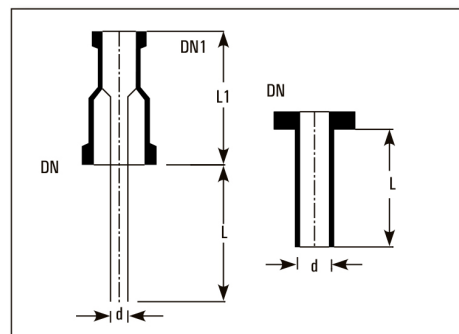
Cat. Ref.	For Vessel	DN	DN1	d	L
DP20/1*	20 L	25	25	12	300
DP50/1.5*	50 L	40	25	19	400
DP100/1.5*	100 L	40	25	19	500
DP200/1.5*	200 L	40	25	19	600



SHORT DIP PIPES

Short dip pipes are used as re-entry tubes for vessels, heat exchangers etc.

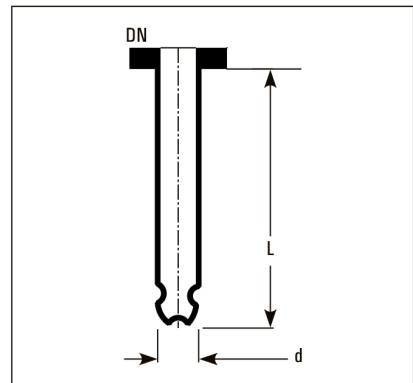
Cat.Ref.	DN	DN1	d	L	L1
DP1/1	25	25	12	100	100
DP1.5/1	40	25	19	100	100
DP1.5/1.5	40	40	19	100	100
DP2/1	50	25	25	100	100
DP2/1.5	50	40	25	100	100
DP3/1.5	80	40	37	100	125
DP4/1	100	25	25	100	150
DP4/2	100	50	50	100	150



GAS SPARGERS

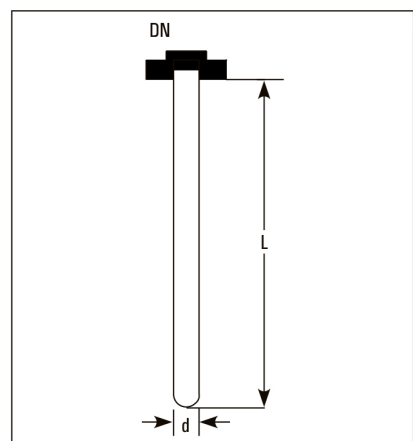
Gas spargers are used for gas feed/sparging in the vessels.

Cat.Ref.	For Vessel	DN	DN1	d	L	No. of Holes
SPG20/1	20 L	25	25	12	300	5x1mm
SPG50/1.5	50 L	40	25	19	400	5x1mm
SPG100/1.5	100 L	40	25	19	500	5x1mm
SPG200/1.5	200 L	40	25	19	600	5x1mm



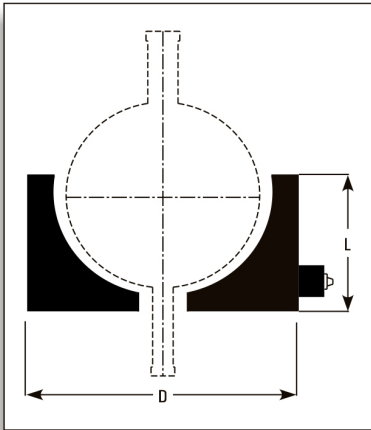
THERMOMETER POCKETS

Cat. Ref.	For Vessel	DN	d	L
TP20/1*	20 L	25	12	300
TP50/1.5*	50 L	40	19	400
TP100/1.5*	100 L	40	19	500
TP200/1.5*	200 L	40	19	600



VESSELS

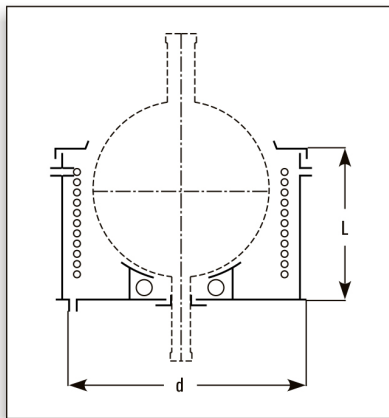
HEATING MANTLES



Heating Mantle is used for electrical heating of cylindrical as well as spherical vessels.

Cat.Ref.	Vessel Size	D	L	Watts	Circuits	Supply Volts
JMD5	5 L	320	190	600	1	230
JMD10	10 L	380	220	1000	2	230
JMD20	20 L	485	285	1800	3	230
JMD50	50 L	600	345	3600	3	415
JMD100	100 L	790	470	5400	3	415
JMD200	200 L	920	530	8100	3	415

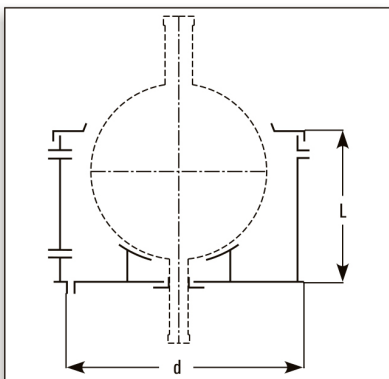
HEATING BATHS



Heating baths are used for electrical or steam heating of glass vessels. Depending upon the temperature requirements, different types of thermic fluids or water can be used as heating media. Heating baths are provided with a pair of encased heaters with controller box, a coil for passing the steam or cooling water, a cushioned vessel holding ring, a bottom outlet sealing arrangement, a lid and threaded socket type inlets and outlets.

Cat.Ref.	Vessel Size	d	L	Watts	HTA Vessel	HTA Coils
SBH20	20 L	480	340	2x2000	0.25	0.4
SBH50	50 L	615	415	2x3000	0.5	0.6
SBH100	100 L	720	535	2x4500	0.7	1
SBH200	200 L	900	620	2x6000	1	1.5
SBH300	300 L	1150	735	3x6000	1.85	2.5
SBH500	500 L	1385	880	4x6000	2.5	4.0

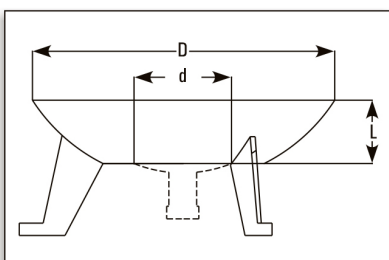
COOLING BATHS



Cooling baths are used for cooling the glass vessel with ice crystals. Cooling Baths are provided with a vessel holding ring, bottom outlet sealing arrangement and a lid.

Cat.Ref.	Vessel Size	d	L
BHC20	20 L	480	340
BHC50	50 L	615	415
BHC100	100 L	720	535
BHC200	200 L	900	620

VESSEL HOLDERS



Vessel holders are made of cast aluminum with a plaster lining shaped to fit the vessel. These are to be supported on 3 jacking bolts.

Cat.Ref.	Vessel Size	D	d	L
VSS10*	10 L	265	160	90
VSS20*	20 L	325	230	100
VSS50*	50 L	390	230	100
VSS100*	100 L	410	250	100
VSS200	200 L	700	400	215

* marked items are available fast.

VESSELS

VESSEL HOLDING RINGS

These metal rings are wrapped with asbestos rope and are to be supported on two jacking bolts.

Cat.Ref.	Vessel Size	d	L
VRS2	2 L	100	15
VRS5*	5 L	150	15
VRS10*	10 L	215	15
VRS20*	20 L	310	15

